

CCTV SYSTEM LCD CCTV MONITOR SYSTEM

Product Information

15" LCD CCTV MONITOR



15" LCD CCTV Monitor

15 inch LCD Monitor with High Brightness, Speed and Cost-performance

This monitor equipped with VGA a panel that combines high brightness with ultra fast response time.

The typical response time of the new monitor is 8m/secs, minimising the residual image characteristic of earlier LCD's and making even the quickest movements crisp and clear. The Monitor has 176° (H) x 176° (V) viewing angle keeps colours vivid and contrast sharp when images are viewed from the side, above or below. The horizontal resolution is 450 lines. The monitor accepts both composite video and S-Video inputs and switches automatically between NTSC and PAL TV formats.

TECHNICAL SPECIFICATION

General Technical Specification

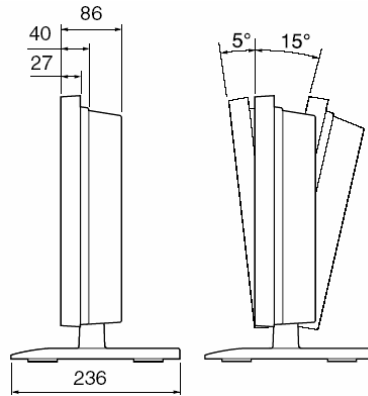
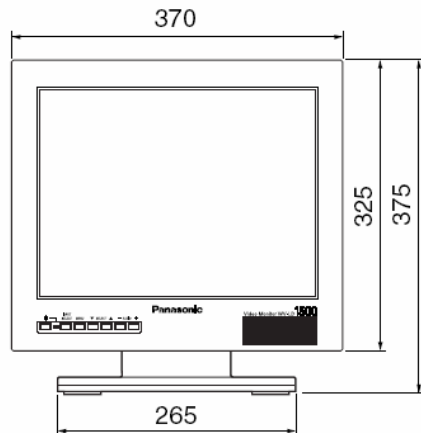
Horizontal Resolution: 450 or more TV Lines
Power Supply: 100-240 Vac
Power Consumption: 45w
Actual Visual Size: 305 x 229 mm
Video Input: Composite video signal
2 x BNC connectors
S-Video and PC inputs
Aspect Ratio: 4:3
Contrast Ratio: 800:1
Dimension: 370 x 375 x 236 mm
Weight: 5.12 kg

Features

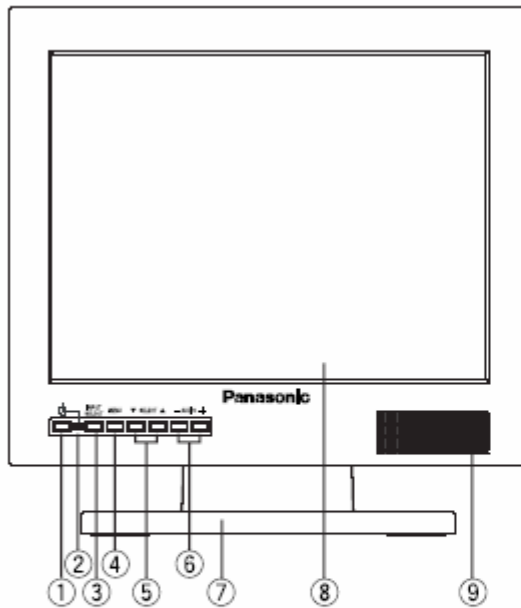
- Ultra Fast Response Time
- High Brightness for Greater Detail
- Large Viewing Angle for Users
- Automatic Switching between PAL and NTSC
- Built-in 1.5 W Audio Speaker



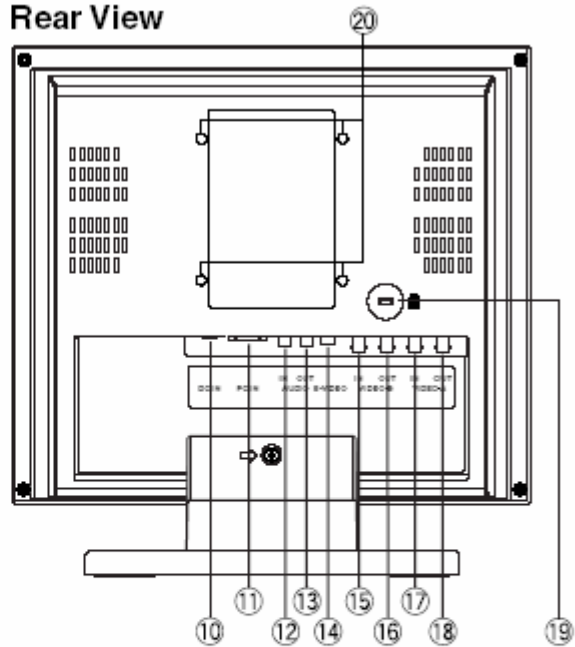
Installation Drawing



Front View



Rear View



- | | | |
|---------------------------------|---------------------------|----------------------------|
| ① Power Button | ⑧ Display Panel | ⑮ Video Input B Connector |
| ② Power Indicator | ⑨ Speaker | ⑯ Video Output B Connector |
| ③ Input Signal Selection Button | ⑩ DC Input Jack | ⑰ Video Input A Connector |
| ④ Menu Button | ⑪ PC Input Connector | ⑱ Video Output A Connector |
| ⑤ Selection Buttons | ⑫ Audio Input Connector | ⑲ Security Slot |
| ⑥ Audio Buttons | ⑬ Audio Output Connector | ⑳ Screw Holes for VESA |
| ⑦ Monitor Stand | ⑭ S-Video Input Connector | Mounting Bracket |



Technical Information

Type	15" LCD CCTV
Power Supply	100 V - 240 V AC, 50/60 Hz (using the supplied AC adapter)
Power Consumption (including the supplied AC adapter)	45 W
Display Panel (Built-in dual CCFT's)	38.1 cm (15") TFT LCD
Display Area (H x V)	305.28 mm x 228.96 mm (12" x 9")
Display Pixel	640 x 480 (VGA)
Aspect Ratio	4 : 3
Brightness	400 cd/m ² (Typical)
Contrast Ratio	800 : 1 (Typical)
Display Colors	Approx. 16,000,000
Viewing Angle (L-R/U-D)	176°/176°
TV Mode	Composite Video Input, Y/C Video Input: PAL/NTSC (Auto)
Horizontal Resolution	450 or more TV lines
Video Input (VIDEO-A IN, VIDEO-B IN)	1.0 V [p-p] / 75 Ω, composite video signal, BNC connectors x 2
Video Output (VIDEO-A OUT, VIDEO-B OUT)	Auto-termination loop-thru, BNC connectors x 2
S-Video Input (S-VIDEO IN)	Y=1.0 V [p-p] / 75 Ω, C= 0.3 V [p-p] / 75 Ω, Mini DIN jack
PC Input (PC IN)	RGB, 0.7 V [p-p] / 75 Ω, Horizontal and vertical timing pulse: TTL, 15-pin Mini D-sub connector
Speaker Output	1.5 W
Audio Input	-8 dB / Hi-Z, RCA pin jack
Audio Output	Loop-thru output, RCA pin jack
Ambient Operating Temperature	0 °C - +40 °C
Ambient Storage Temperature	-20 °C - +65 °C
Ambient Operating Humidity	Less than 90 %
Screw Holes for VESA Mounting Bracket	100 mm pitch, VESA standard
Dimensions (W x H x D) (including the monitor stand)	5.12 kg

For More Information

For more information on our products and services, kindly send an email to sales@pinnacletech.biz
 Tel: +(65) 6364 0626 Fax: +(65) 6894 9646